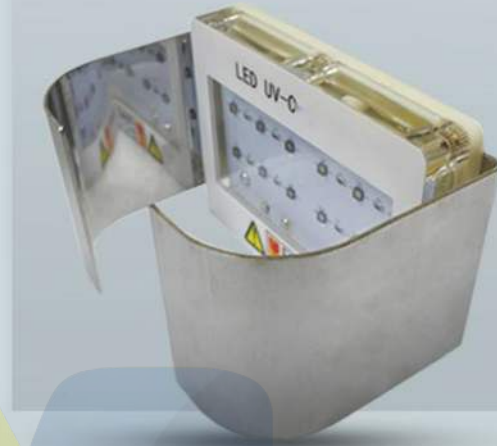


Handrail LED UV-C Light Sterilizer for escalator

Taking escalator more safely

Handrail LED UV Sterilizer

The principle of the UVC sterilization method is to damage the molecular structure of microbial cell's (bacteria, virus and other pathogens) DNA and RNA.



Features

Cheap

Power supply can Compatible with lighting power supply system

12 pcs UV-C light can efficient kill the virus

Suitable for all kinds of escalators

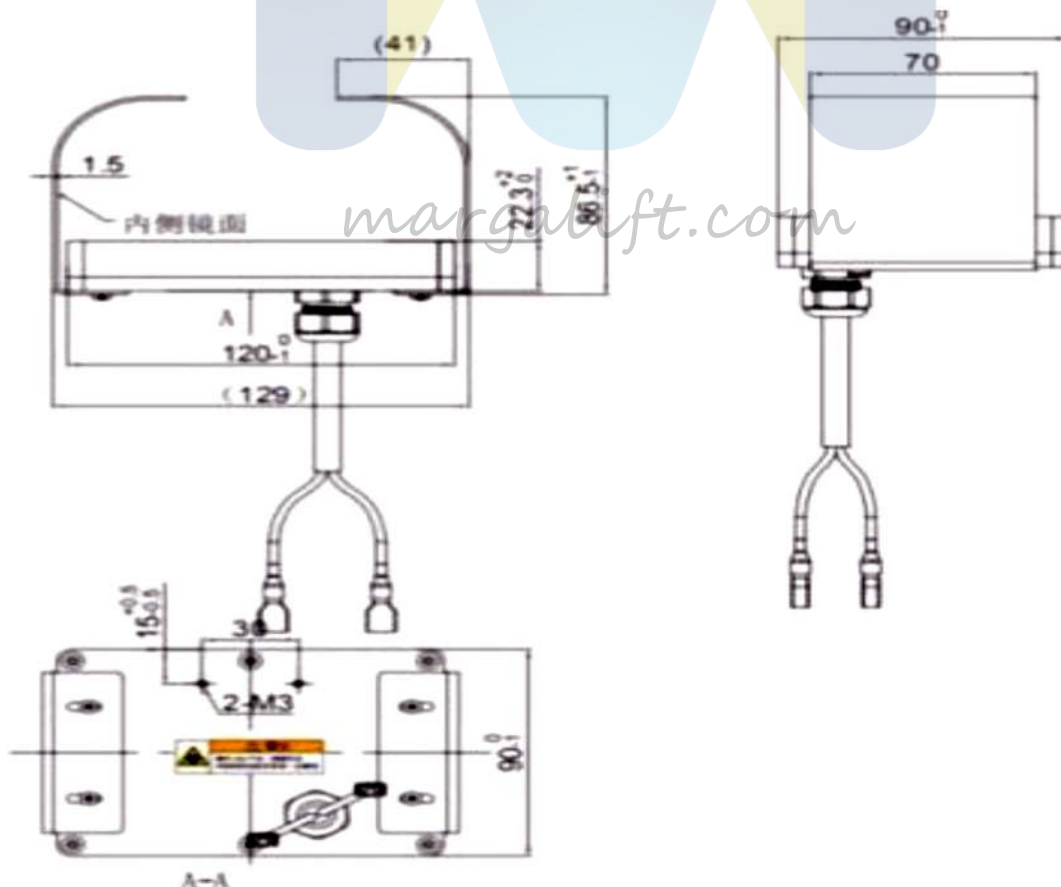
Will not hurt the escalator handrails

Simple installation without modifying the circuit

Handrail LED UV-C Light Sterilizer for escalator

Input Voltage	DC24V±10%
Input Current	<0.15A
Wave length	270~285nm
LED Size	3535
LED Quantity	12PCS
Design Lifetime	10000hrs
IP Protecting Level	IP55
Working Temperature	-25℃~+60℃
Operation Relative Humidity	≤95%
Storage Environment	-30℃~+70℃
Best Sterilization Distance	≤25mm(Vertical distance between light emitting surface of lamp and handrail)
Irradiation area	100*50 mm
Initial Irradiance	≥45uw/cm2(@15mm)
Irrandiance@10000Hrs	≥40uw/cm2(@15mm)
Material	PC & SUS304 & Quartz Glass
Off and On time	>300,000 times

Drawing



广东省微生物分析检测中心

GUANGDONG DETECTION CENTER OF MICROBIOLOGY

分析检测结果

ANALYSIS AND TEST RESULT

报告编号 (Report No.): 2018SP6130R01

1. 作用距离: 25mm
2. 测试结果:

试验菌株	作用时间	试验组别	试验组平均菌落数 (cfu/片)	对照组平均菌落数 (cfu/片)	杀灭率 (%)	杀灭对数值 (KL)
大肠杆菌 (<i>Escherichia coli</i>) (8099)	1min	1	20	3.3×10^6	99.99	5.26
		2	10	3.8×10^6	99.99	5.56
		3	25	3.7×10^6	99.99	5.16
		平均值		3.6×10^6	99.99	5.33
	2min	1	<5	3.3×10^6	>99.99	>5.86
		2	<5	3.8×10^6	>99.99	>5.86
		3	<5	3.7×10^6	>99.99	>5.86
		平均值		3.6×10^6	>99.99	>5.86
金黄色葡萄球菌 (<i>Staphylococcus aureus</i>) (ATCC 6538)	1min	1	3.1×10^5	4.2×10^6	99.94	3.20
		2	2.8×10^5	4.8×10^6	99.94	3.24
		3	2.6×10^5	6.0×10^6	99.94	3.28
		平均值		5.0×10^6	99.94	3.24
	2min	1	2.1×10^5	4.2×10^6	99.99	4.37
		2	2.6×10^5	4.8×10^6	99.99	4.28
		3	2.4×10^5	6.0×10^6	99.99	4.31
		平均值		5.0×10^6	99.99	4.32

分析
专用

margalift.com
99% Sterilization ability

Install

