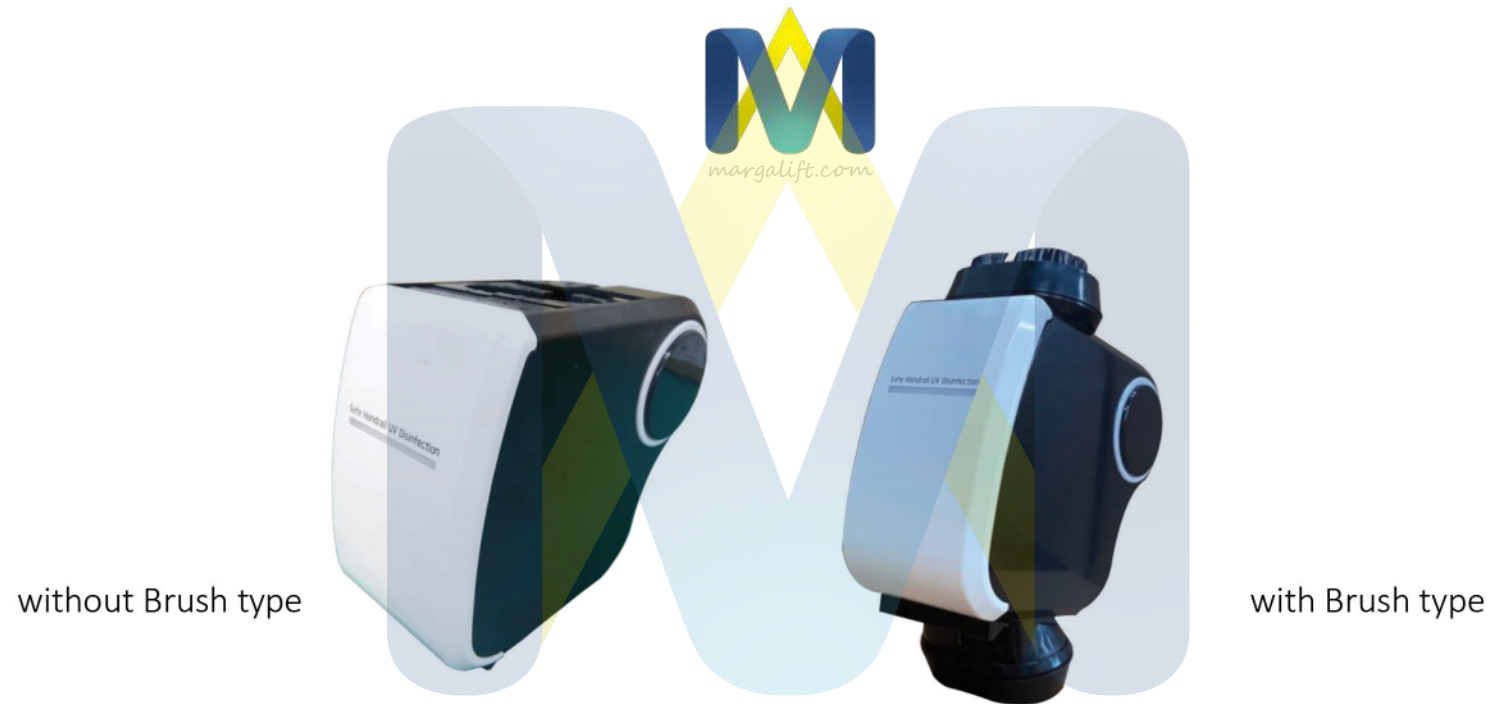


INSTALLATION INSTRUCTIONS



without Brush type

with Brush type

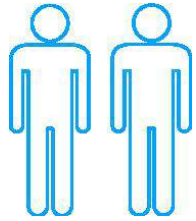
margalift.com
Model No.: HSCW003GLS

Escalator and Walkway Handrail UV-C Disinfection Unit

www.margalift.com

REQUIRED INSTALLATION TOOLS

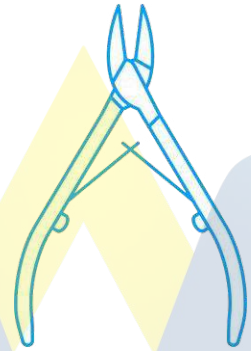
Ensure that you have the following tools and resources prior to installing each unit.



Two individuals are recommended for Installation



Pliers (standard or long nose)



Nippers



Philips screwdriver (manual or power)



Marker



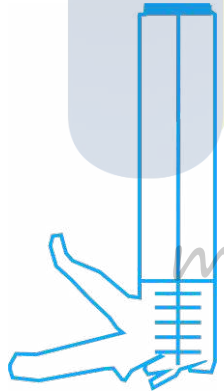
Straight edge measuring device (50cm)



Glass Cleaner



Silicone Sealant



Sealant Gun



All Purpose Adhesive



A small level



A small serrated blade, hacksaw or knife



C-Clamp Pressing Tool
*recommended

VERIFY

Verify that you have all the required parts prior to starting installation process.

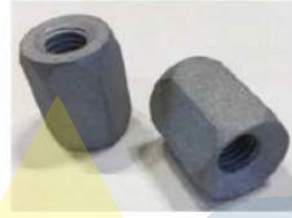
Zig tool



HoldSafe's zig tool is also recommended. This zig is specially designed to place the brackets easier and proper position.



MOUNTING BRACKET
X 2



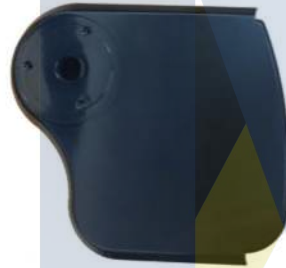
MOUNTING NUTS
X 8



MOUNTING BOLTS
X 8



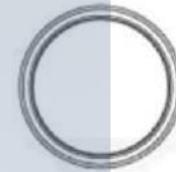
MOUNTING SCREWS
X 4



RIGHT COVER PANEL
X 1



LEFT COVER PANEL
X 1



COVER RING
X 2



COVER CAP
X 2



COVER SCREWS
X 6

with Brush type



UPPER BRUSH ASSEY
(LEFT/RIGHT) X 1 EACH



LOWER BRUSH ASSEY
(LEFT/RIGHT) X 1 EACH



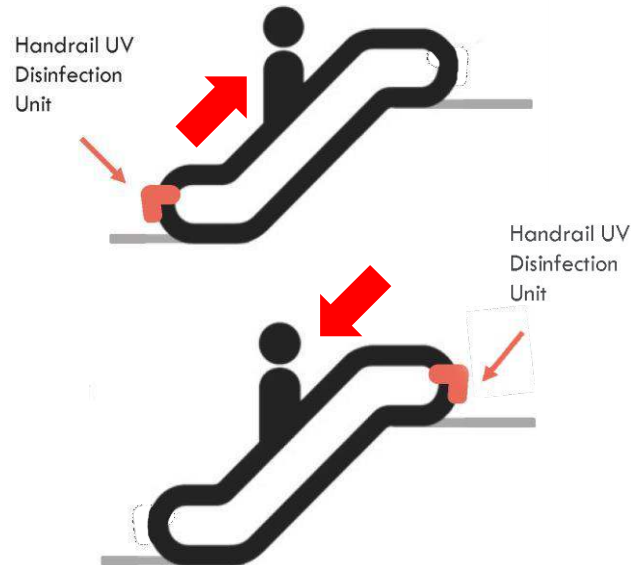
BRUSH CONNECTING
BLOCKS X 8

STEP 1

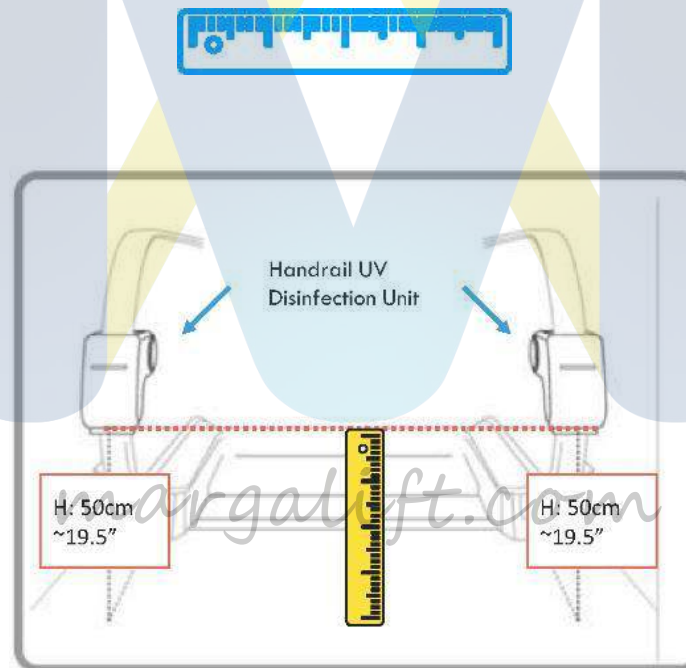
PREPARE THE LOCATION FOR INSTALLATION

Ensure that the escalator or walkway is not operating and is free of users

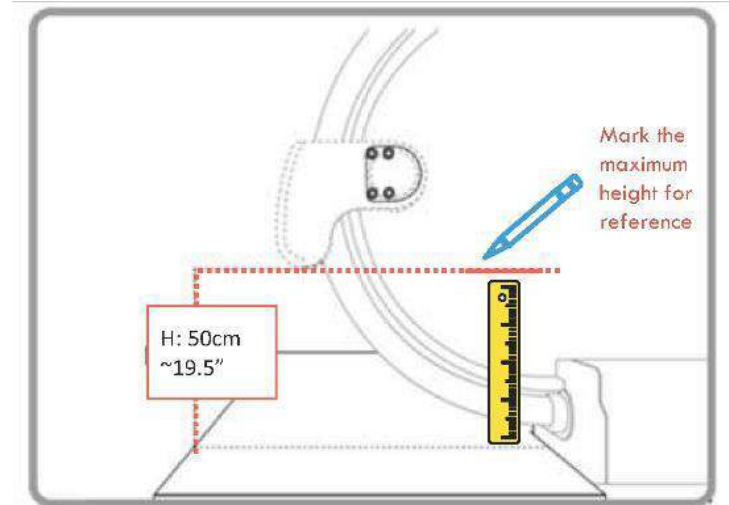
The unit must be placed at the escalator or walkway entry/exit point



The base of the unit should be positioned at a maximum height of **50cm** from the landing floor plate.



Locate the maximum height and make a mark for your reference.



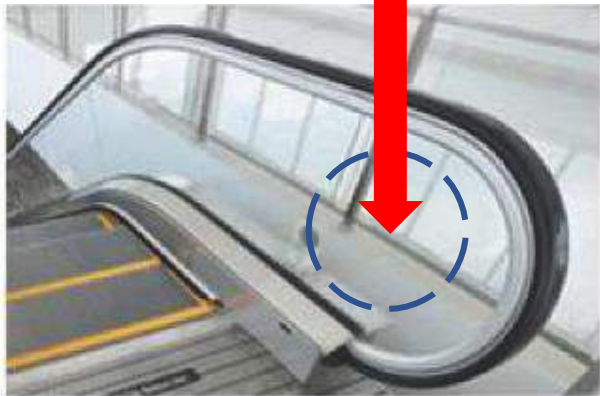
STEP 1

PREPARE THE LOCATION FOR INSTALLATION

Clean the glass surface with the glass cleaner and ensure the surface is wiped completely dry prior to installation.



Clean & Dry



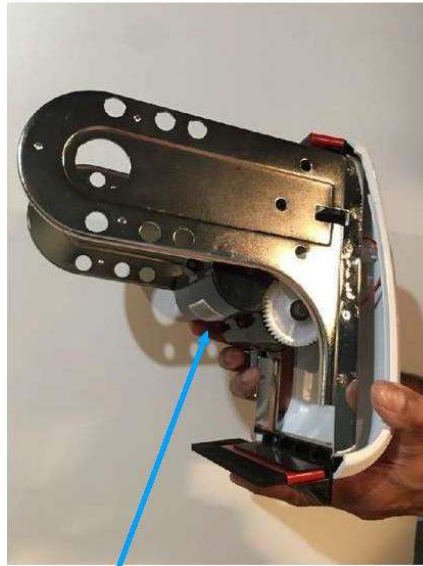
The unit must not block or otherwise impede the access and functioning of any of the safety features of the escalator. The unit can be placed lower if required.

IMPORTANT



The Units' Generator Assembly is housed within the frame and has the full torsion spring tension applied when shipped. You will need to lower the Generator Assembly prior to positioning the unit for installation on the handrail balustrade.

(When the unit is installed, you will release the generator assembly and the torsion spring will maintain the appropriate contact with the handrail to generate power for the unit.)



Generator Assembly in UP position (full spring tension)



Using one hand, gently pull down on the generator assembly by placing your hand on the rubber roller



Pull generator assembly towards the base of the unit



Using both hands, hold generator in LOW position and proceed to the next step

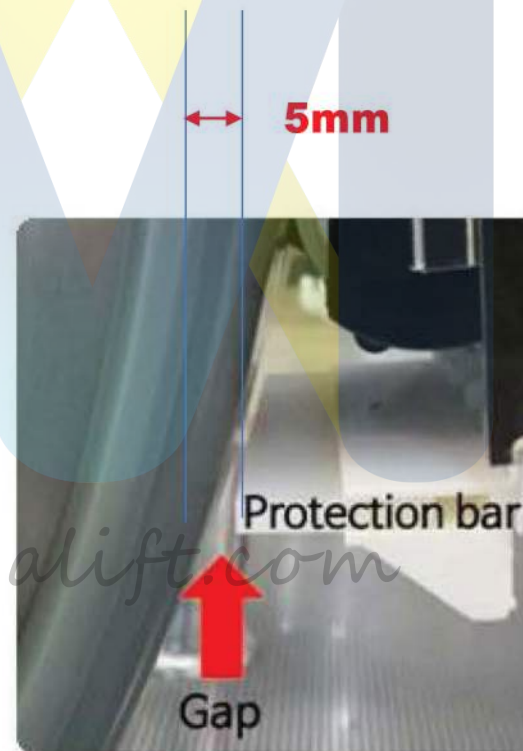
STEP 2

MARK THE LOCATION FOR THE MOUNTING BRACKET ON THE BALUSTRADE

To get the best efficiency, ensure the distance between the LED chips and the handrail surface as close as possible. (recommended 1cm)



Ensure the distance between the protection bar (silicone guard) and the handrail surface as 5mm.



If the safety guard is too long, cut to fit to keep 5mm.



In case of with Brush type, go to STEP 6.



STEP 2

MARK THE LOCATION FOR THE MOUNTING BRACKET ON THE BALUSTRADE

Holding the generator assembly in the LOW position, place the unit over the handrail. Place the LEVEL on top to ensure the unit is level.



Holding the generator assembly, mark through the holes where screws can be inserted. Ensure the

Matching the market points with the holes of mounting bracket, draw the line alongside the bracket.



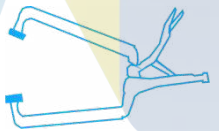
Remove the 3M VHB™ backing from the mounting bracket and firmly adhere it to the glass balustrade in the outline drawn.



Important 

Using a tool, press the bracket strongly to remove the remaining air between the glass and the bracket.

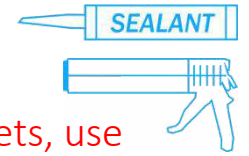


After pressing, use C-Clamp if prepared, 



Ensure the air removed completely 

Important



After attaching the brackets, use Silicone Sealant alongside the bracket.



STEP 4

SCREW MOUNTING BOLTS & NUTS TO THE BRACKET

Only 2 Mounting Screws are required on each side of the units, so only 2 of the 4 mounting holes on the bracket are used.

Option A



Select the two holes that will be diagonal. Option A is first recommended.



Option B



If the balustrade is too big to make the unit frame wider, then Option B is highly



Option C



If the handrail prohibits Option A, Option C is used.

STEP 4

SCREW MOUNTING BOLTS & NUTS TO THE BRACKET

Add the Mounting Nuts & Mounting Bolts to prepare the Mounting Bracket for the UV units.



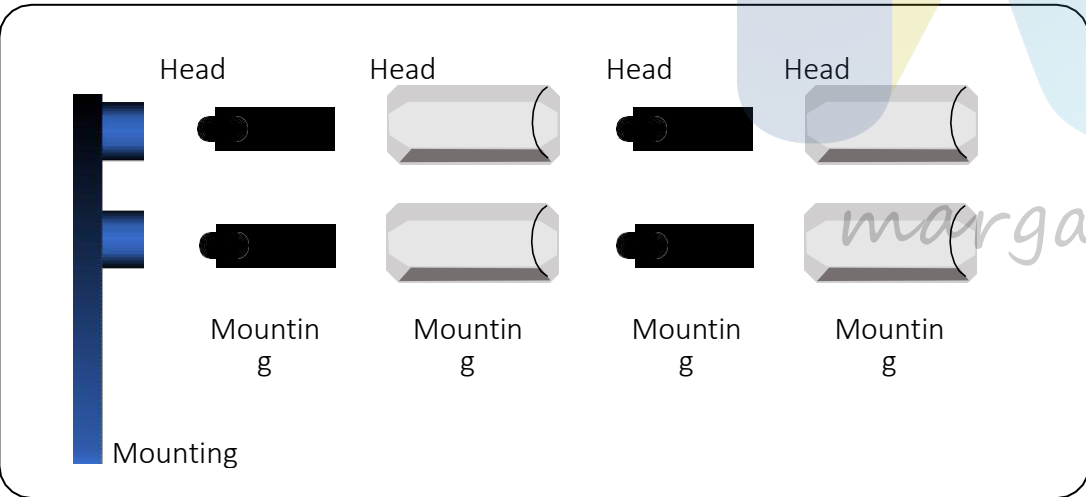
Start by screwing in a Mounting Bolt into the Mounting Bracket



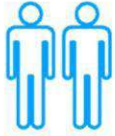
Add at least one Mounting Nuts



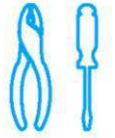
Continue to add Mounting Bolts & Mounting Nuts as required



ATTACH UNIT TO THE MOUNTING



Two installers are required to mount the frame to the handrail.

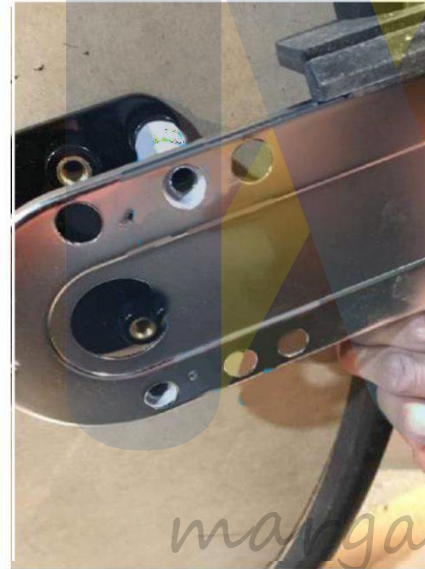


Pliers and a screwdriver are required for this step

USE ONLY 2 MOUNTING SCREWS on each side



The first installer will gently pull down on the generator assembly into the lower position as in Step 3, and slide the unit over the handrail



Align the frame holes with the correct holes on the mounting bracket.



The second installer will insert the Mounting Screws, and using the pliers, will hold the mounting bolts while firmly screwing the 2 mounting screws into place on each side.



Once one side is completed, repeat this process for the opposite side

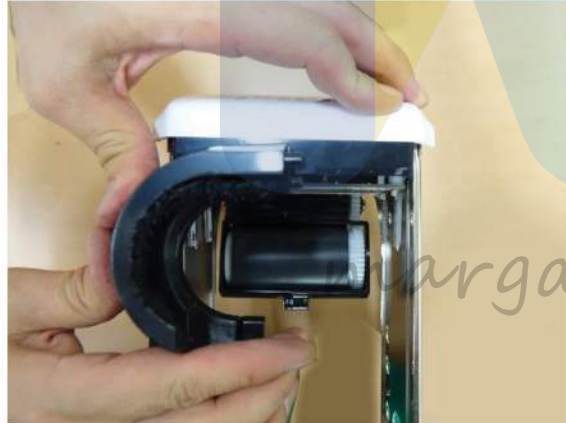


STEP 6

INSTALL THE UPPER BRUSH ASSEMBLIES



If the escalator type is not allow to install the brush assey, cut the brush guard and/or side cover plate properly to the escalator handrail.



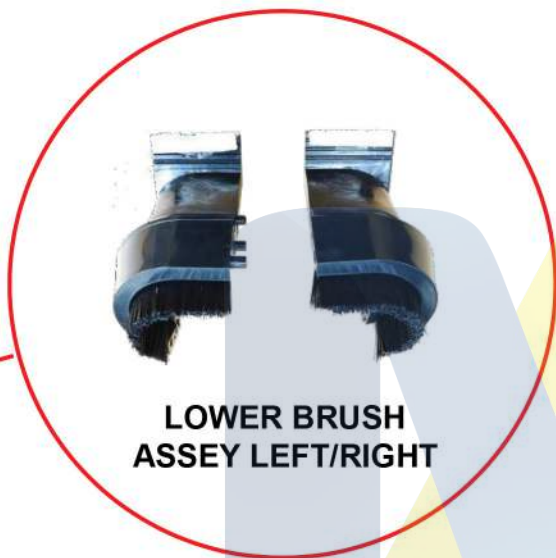
Push left(or right) brush up to the center of the upper part, then the other brush connect both brushes completely.

STEP 6

INSTALL THE LOWER BRUSH ASSEMBLIES



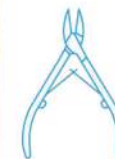
LOWER BRUSH ASSEY



LOWER BRUSH ASSEY LEFT/RIGHT



Remove the adhesive paper before install to the unit.



If needed, cut the brush guard and/or side cover plate properly to the escalator handrail.



Push left(or right) brush up to the center of the upper part, then the other brush connect both brushes completely.



ADJUST TO THE BALUSTRADE

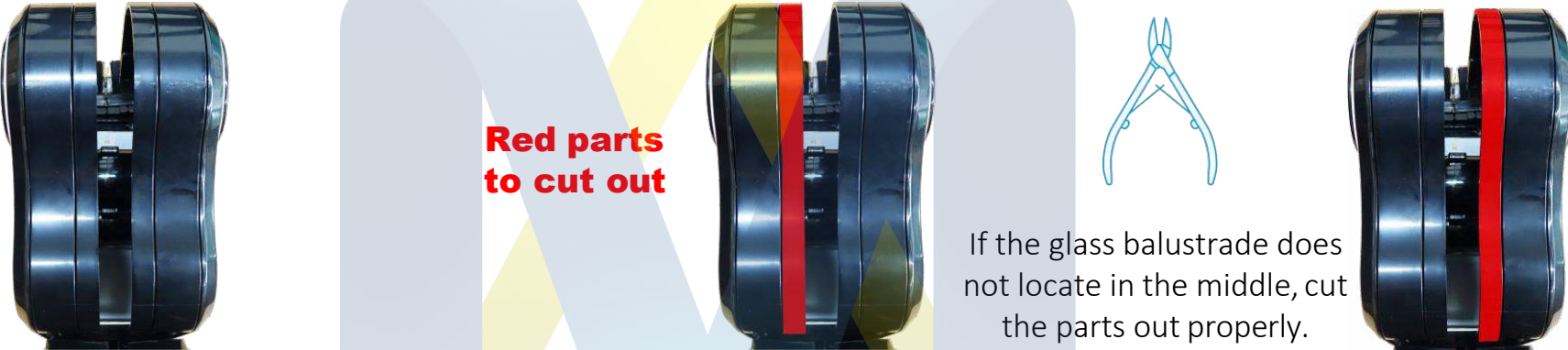
Upper Brush Assey



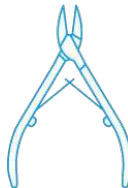
Red parts to cut out



Side Cover Panel



Red parts to cut out



If the glass balustrade does not locate in the middle, cut the parts out properly.

Lower Brush Assey



Red parts to cut out



Handrail



Glass

Glass Balustrade in the middle



Glass

Glass Balustrade in the left



Glass

Glass Balustrade in the right



INSTALL THE EXTERIOR COVERS

Gather the outer covers and screws as indicated:

RIGHT COVER PANEL



LEFT COVER PANEL



COVER RING X 2

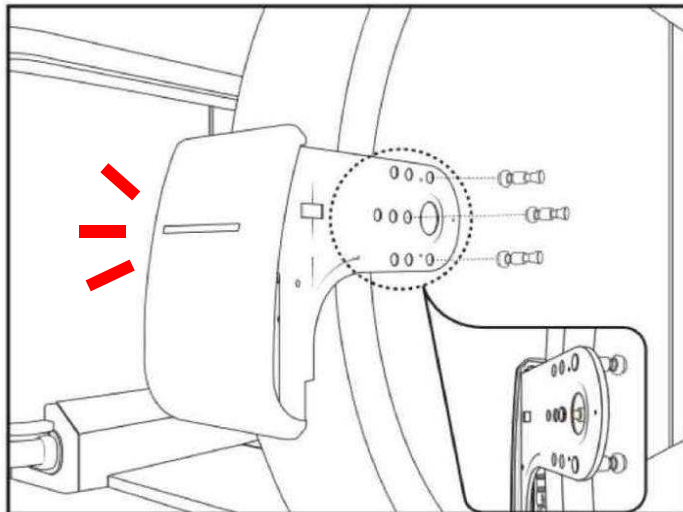


COVER CAP X 2

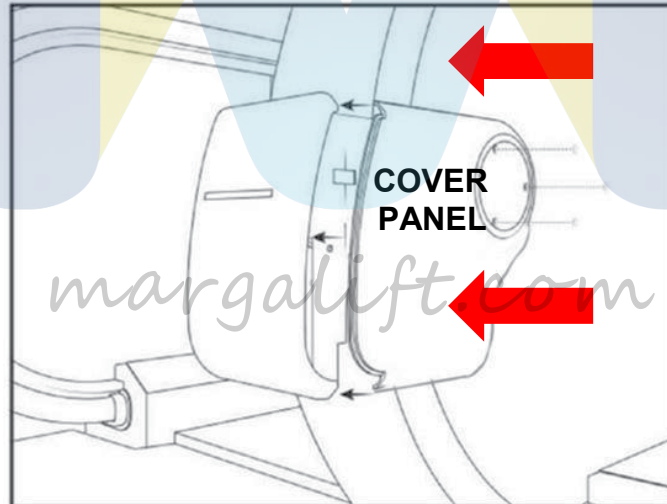


COVER SCREWS X 6

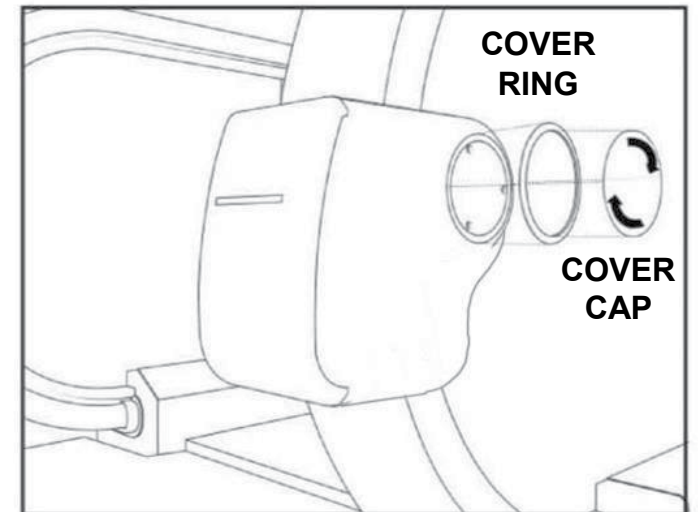
While maintaining pressure enough to turn on the operation lamp, fix the housing frame on the balustrade using a fixing agent.



Slide the outer cover panel forward the front of the unit as indicated.



Secure the right covers using the cover screws. Place cover ring in the correct place. Insert the cover cap and gently screw it.





Once the installation process is completed, verify that the unit is firmly in place and that the safety guards are properly positioned

Ensure that all installation tools and parts are removed from the immediate area.

Start the escalator or walkway to ensure that the unit is operating.

The front blue indication lamp (non-UV) will illuminate to indicate that the unit is operating and that the UV Modules (internal only) are disinfecting the handrail.



Visit www.margalift.com with any support questions.

● EXTERIOR

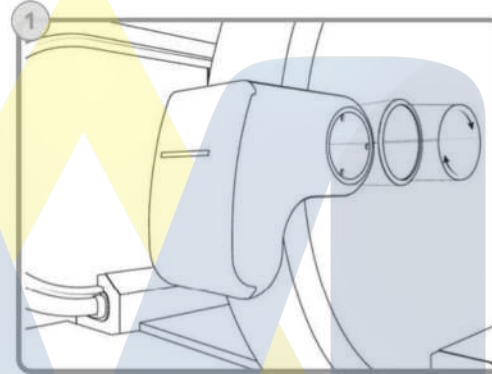
- Wipe the exterior cover with a clean damp cloth.
- Use extreme care not to use excessive moisture or allow any liquid to enter the unit.

● INTERIOR

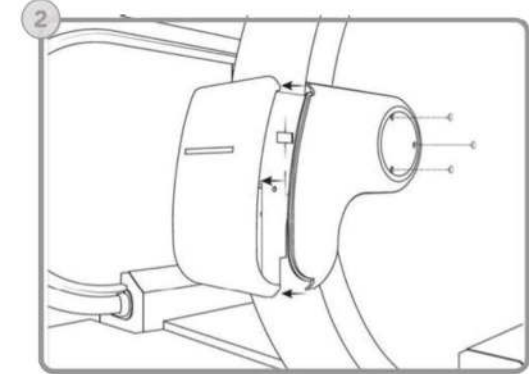
- The interior of the unit will need to be periodically air blown to remove any accumulated dust.
- This will depend on environmental conditions, however it is recommended to do so on a monthly basis for high volume locations.
- Do not separate the cover using excessive force. Please follow the instructions below.
- Any can of Compressed Air / Compressed Air Duster will suffice.

● REPLACEMENT PARTS

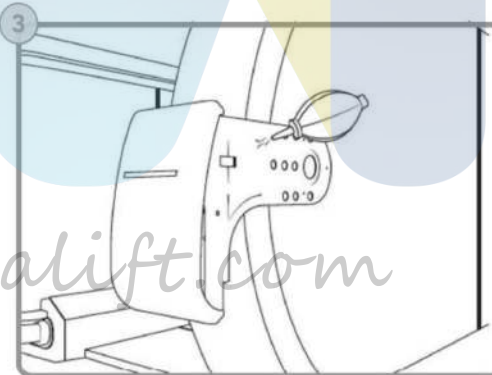
- The UV-C LEDs are rated for 10,000 hours of lifetime before they degrade below the guaranteed effectiveness level.
 - The self-powering generator has a rubber roller that may show wear and tear based on usage conditions.
 - PürHealth Recommends replacement of both components at the same time. We suggest referencing 10,000 hours as the lifespan to calculate when the units need servicing. Average - Replacement cycle can vary from 1.5 to 3 years based on system operation.
- Note: A system operating 24/7 will require replacement in 13-14 months.



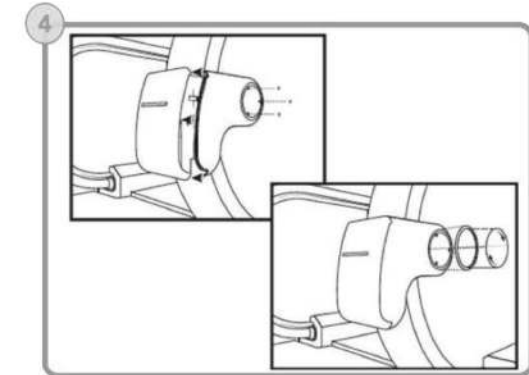
Gently rotate the cover cap counterclockwise to remove it, as well as to remove the cover ring



Remove the side cover screws and then gently remove the side cover.



Using an air blower, or compressed air spray, blow air inside the frame to remove any accumulated dust from the internal components.



Once complete, replace the side covers with the screws and reattach the cover ring and cap by rotating clockwise.